

YOUR QUALITY PARTNER
FOR SOFTWARE SOLUTIONS



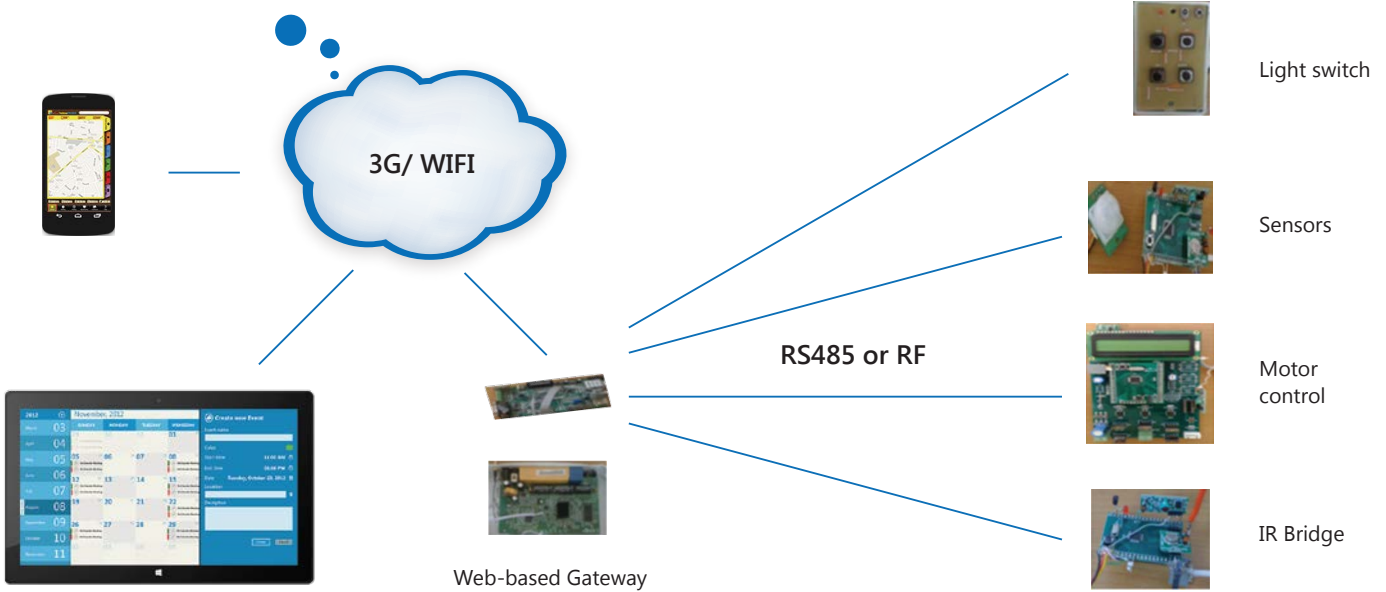
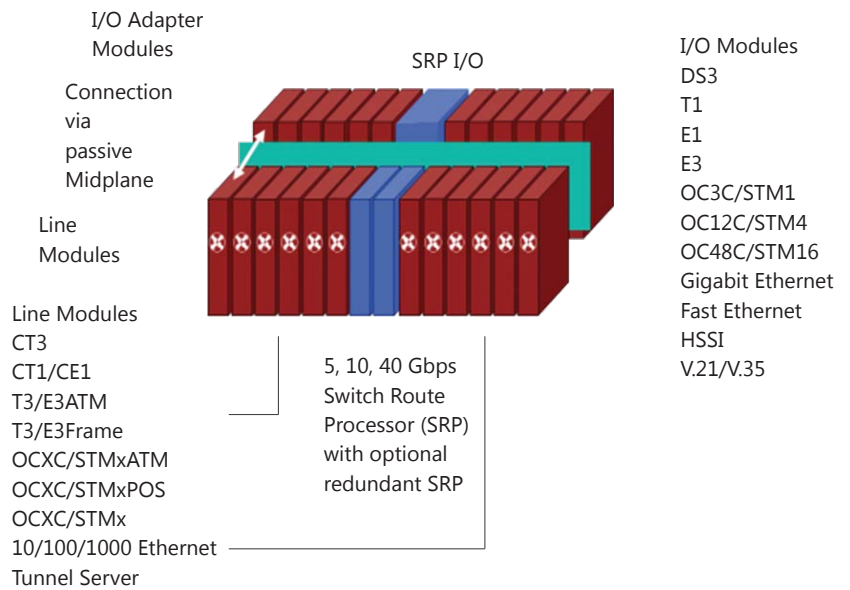
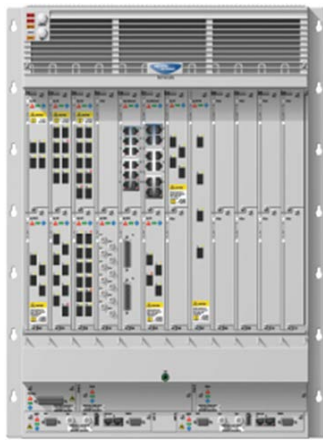
Embedded Software Brochure

DEVELOPMENT | TESTING | PORTING & MIGRATION

MANAGED SERVICES | PRODUCTION SUPPORT | VISUAL DESIGN

1,800+ ENGINEERS | CLIENTS FROM 25+ COUNTRIES | CMMI-LEVEL 5 | ISO 27001

- ✓ 12+ years of experience in embedded software projects for many large companies such as: *Juniper Networks, NTT, Flextronics, NextPoint, FlexStar, Genband, Nortel, and more.*
- ✓ Large and complex projects requiring 50+ engineers



Services

- Software application development for embedded devices
- Firmware, device drivers, chip design
- Embedded OS porting

Technologies

MCU	<ul style="list-style-type: none">• ARM, x86, MIPS, PIC, AVR32
Wireless	<ul style="list-style-type: none">• GSM/GPRS, ZigBee
OS Platforms	<ul style="list-style-type: none">• VxWorks, Linux/ Real-time Linux, uClinux, Ttylinux, Android, IP Service Operating System, Gentoo
Device Drivers and Firmware	<ul style="list-style-type: none">• Network I/O Line Card (ATM, GELC, DS3/E3, OC12, OC48, GE)• Buses ISA/EISA/PCI• Data path, Ethernet, IO driver, Line module• Sound, Keyboard, USB, LCD
Programming Languages	<ul style="list-style-type: none">• Assembly, Unix Shell Script, C/C++, Java, Perl, TCL/SilkTest Script
Tools	<ul style="list-style-type: none">• OrCAD, Altium, Protel• AutoCAD, SolidWorks• Keil C, IAR, Altium• Buildroot, OpenEmbedded, OpenWrt, DD-WRT• QEMU• SmartBits, Adtech, Wireshark
Chip Design	<ul style="list-style-type: none">• VHDL & Verilog• Xilinx FPGA chip architect: Spartan 6 & Kintex 7• Simulation and Synthesis: ISE, ISM, XST, Aetest

Sample Projects

- HD DVD Player
- PDA Emulator
- Smart Home/ Office
- Multi-Service Provider Edge
- Broadband Remote Access Server
- Service Edge Router





A LEADING VIETNAM SOFTWARE OUTSOURCING COMPANY

Tel: +84 28 3997-8000
Mobile: +84 908-676-212
Fax: +84 28 3990-3303
Email: sales@tma.com.vn

North America number: + 1 802-735-1392
Australia number: + 61 414-734-277
Japan number: +81 3-6432-4994
Website: www.tmasolutions.com