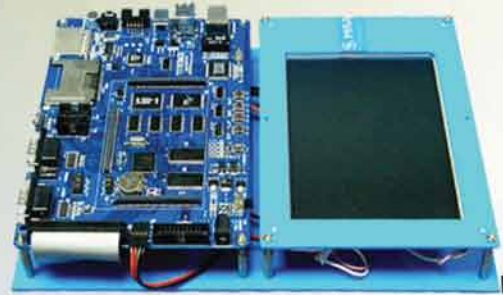
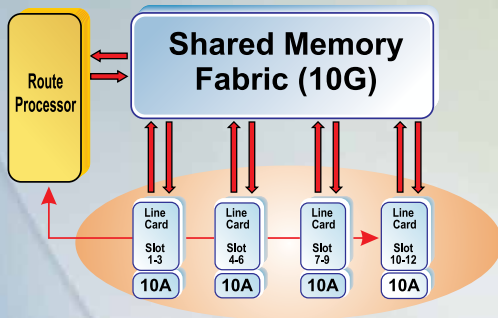


We have more than 8 years of experience in embedded software projects for many large companies such as: Nortel, Juniper Networks, Flextronics, NTT, Toshiba.



Skill Set

OS Platforms	<ul style="list-style-type: none"> VxWorks, Linux/Real-time Linux, IP Service Operating System
Device Drivers and Firmware	<ul style="list-style-type: none"> Network I/O Line Card (ATM, GELC, DS3/E3, OC12, OC48, GE) Buses ISA/EISA/PCI Data path, Ethernet, IO driver, Line module Sound, Keyboard, USB, LCD
Programming Languages	<ul style="list-style-type: none"> Assembly, Unix Shell Script, C/C++, Java, Perl, TCL/SilkTest Script

Sample Projects

HD DVD Player

Code Video Control processing module and create test content disc.

Line Card and IO Adapter Drivers For Routers

Enhance high availability features for line module to upgrade network routers' image with minimal forwarding interruption.

Real-time OS in Service Edge Router

Maintain and develop new features for network transport services, IP services and core OS layers.

Intelligent Office/House

Monitor and control electronic devices in house and office such as fans, lights, doors, etc.

PDA Emulator

Develop new functions for Embest Kit such as video/music player, image viewer, etc.